

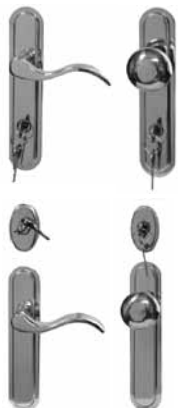
Parts & Accessories



All prices include shipping and handling

Surface Mount Retrofit Hardware Kits

- Replaces most LARSON® surface mount hardware
- Fits doors up to 1-1/4" thick*
- Brass or Brushed Nickel on both sides
- Includes trim plates to conceal most existing screw holes

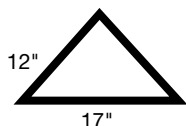


	Lever	Knob	LARSON LIST
Brass	2020611	2020613	79.62
Brushed Nickel	2020612	2020614	85.62

	Lever w/ Deadbolt	Knob w/ Deadbolt	LARSON LIST
Brass	2020615	2020617	83.86
Brushed Nickel	2020616	2020618	89.86

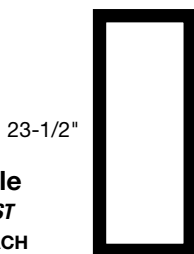
* Modification of door may be required

Low Profile Design Moldings



Triangle
LARSON LIST
\$8.54 EACH

Screws and screw caps sold separately



Rectangle
LARSON LIST
\$25.89 EACH

Expander Splines

LARSON LIST: \$9.06



2029498



2029496



2023197



2023196



202313

Miscellaneous Accessories

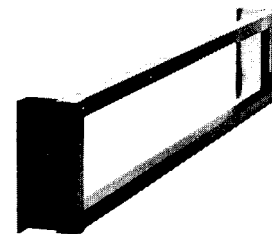
Item	QTY	LARSON LIST
Hinge Rail	1	\$ 46.19
Latch Rail	1	\$ 43.08
Drip Cap	1	\$ 28.81
Retainer Strip – Full-View	2	\$ 27.00
Retainer Strip –Mid-View	2	\$ 26.75
Retainer Strip –High-View	2	\$ 26.50
Aluminum Color-match Expander with Sweep	1	\$ 38.00
White Vinyl Expander with Sweep	1	\$ 27.34
Brass-tone Expander with Sweep	1	\$ 43.00
Brushed Nickel Expander with Sweep	1	\$ 43.00
Aged Bronze Expander with Sweep 346 Series, 349 series	1	\$ 43.00
Antique Brass Expander with Sweep 346 Series, 349 series	1	\$ 43.00
Expander Spline (Sweep)	1	\$ 9.06
Touch-up Paint (Bottle)	1	\$ 18.67
Touch-up Paint (Spray)	1	\$ 23.64
Inswing Door Bracket #202165 <i>Converts most LARSON Wood Core Mortised Hardware doors to an inswing application.</i>	1	\$ 11.33
Inswing Door Kit #0800163 (White) #0800164 (Brown) <i>Converts most LARSON Surface-Mount Hardware doors to an inswing application. Requires use of handle set provided with inswing kit.</i>	1	\$ 74.44

Extruded Push Bar

Mill Finish only

#090424-32"
#090425-36"

LARSON LIST: \$36.08



Specify Model Color and Size

For Miscellaneous Replacement Parts Call LARSON Customer Service at 1-800-334-1328



Parts & Accessories

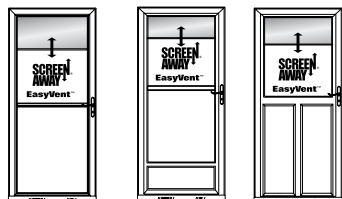
All prices include shipping and handling

When placing order, please provide door color, size and model or tip-to-tip measurement of insert.

GLASS INSERTS

Item	Glass	LARSON LIST
Full-View Fixed Light 	Plain	\$ 101.37
	Decorative	\$ 158.32
	Brass Trim	\$ 192.48
Full-View Low-E 	Low-E Glass	\$ 147.20
Mid-View Fixed Light 	Decorative	\$ 170.00
High-View Fixed Light 	Plain	\$ 67.35
Full-View	Single-Vent Multi-Vent	\$ 64.00
Mid-View		\$ 61.06
High-View		\$ 58.97

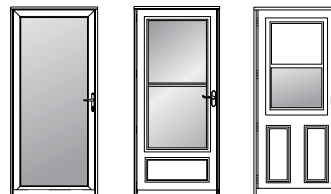
NOTE: List prices pertain to standard size only. Call for custom prices.



Screen Away® Easy Vent® Inserts	Full-View	Mid-View	High-View
Top glass with screen (per insert)	\$ 77.00	75.22	71.67
Bottom glass insert	\$ 62.88	61.11	NA
Top bevel glass	\$ 97.75		
Bottom bevel insert	\$ 83.63		
Low-E Top glass with screen (per insert)	\$ 96.80		
Low-E Bottom glass insert	\$ 82.68		

Registration Number required for proper size.

SCREEN INSERTS



	Full-View	Mid-View	High-View
Multi-Vent® 1-Lite Screens	\$ 55.80	44.41	53.31
Multi-Vent® Grid Screen Combo	\$ 67.19	55.80	80.17
Single-Vent Screens	\$ 59.94	51.47	50.97

Item	Full-View	Mid-View
Classic Elegance® / Wood Core Retractable Screen Replacement Kit Contains new screen tube with screen and spring unit and easy-to-follow installation instructions.	\$ 44.41	

Registration Number required for proper size.

REPLACEMENT CLOSER KITS


QTY	DESCRIPTION	COLOR	LARSON LIST
1	V920 Closer	White Sandstone Almond Black	Brown Hunter Green Cranberry \$ 31.25
1	V150 Closer	White Sandstone Almond	Black Brown Hunter Green \$ 32.72
2	V920 Closers	White Sandstone Almond Black	Brown Hunter Green Cranberry \$40.66
2	 1 SmoothGlide® 1 standard closer	White Sandstone Almond Black	Brown Hunter Green Cranberry \$51.90


Parts & Accessories

All prices include shipping and handling



INCLUDES EXTERIOR AND INTERIOR HANDLE AND CLOSER KIT					
HANDLE	SERIES	PART #	FINISH	LARSON LIST	
Surface Mount Brass or Brushed Nickel 	Lifestyle 356-60	#2026633	Brass	\$ 48.58	REPLACEMENT CLOSER KIT 1 – V920 CLOSER
	Lifestyle 356-52	#2026683	Brushed Nickel	\$ 50.42	




INCLUDES EXTERIOR AND INTERIOR HANDLE AND CLOSER KIT						
HANDLE	SERIES	PART #	FINISH	LARSON LIST		
White or Black Push Button Includes Closer 	Lifestyle 830-46	VALUE-CORE 284-FL	#20266603	White	\$ 35.73	REPLACEMENT CLOSER KIT 1 – V920 CLOSER
	830-01	281-TT				
	830-14	283-ST	#20266605	Black		




INCLUDES EXTERIOR AND INTERIOR HANDLE AND CLOSER KIT					
HANDLE	SERIES	PART #	FINISH	LARSON LIST	
Black Push Button 	VINYL-CLAD 293-ST	#20266405	Black	\$ 35.15	REPLACEMENT CLOSER KIT 1 – V920 CLOSER
	296-SX				
	298-SS				



Parts & Accessories

All prices include shipping and handling

		EXTERIOR AND INTERIOR HANDLE KITS		
HANDLE	CLASSIC ELEGANCE®	PART #	FINISH	LARSON LIST
<i>Mortise style</i> 	349-13 349-04	#20275607	Brass	\$ 63.48
	349-52 349-14	#20275617	Brushed Nickel	\$ 67.40
<i>Mortise style</i> 	Easy Vent® Brass 346-60, 346-13 346-80, 346-83	#20275507	Brass	\$ 60.98
	Easy Vent® Brushed Nickel 346-52, 346-14 346-82	#20275517	Brushed Nickel	\$ 64.25
	Easy Vent® Antique Brass 346-02, 346-12	#20275520	Antique Brass	\$ 70.50
	Easy Vent® Aged Bronze 346-05, 346-15	#20275557	Aged Bronze	\$ 70.50
Secure Elegance® 3-Point Locking System 	349-20	#20265707	Brass	\$ 90.13
	349-17	#20265717	Brushed Nickel	\$ 90.92

		EXTERIOR AND INTERIOR HANDLE KITS		
HANDLE	CLASSIC-VIEW	PART #	FINISH	LARSON LIST
<i>Mortise style</i> 	221-SC	#202394W	Brass	\$ 72.22
	3320-17	#20239417	Brushed Nickel	\$ 72.22
<i>Mortise style</i> 	350-04 350-13	#20275407	Brass	\$ 63.00
	350-17 350-14	#20275417	Brushed Nickel	\$ 70.50
<i>Surface mount</i> 	350-48	#2024433	Eurobrass	\$ 57.51

NOTE: Storm doors more than 3 years old may require hardware substitutions.

Parts & Accessories

All prices include shipping and handling



			EXTERIOR AND INTERIOR HANDLE KITS		
HANDLE	SERIES		PART #	FINISH	LARSON LIST
<i>Mortise style Secure Lock®</i> 	Lifestyle 830-80 830-07 233-ST 236-SX	Life-Core® 277-FB 268-CF 371-36	#20275207	Brass finish	\$ 46.42
				Brushed Nickel	
<i>Mortise style Color-Match Secure Lock®</i> 	274-FL 271-TT 278-SS 370-79 370-78		#20275203	White	\$ 35.73
			#20275208	Almond	
			#20275204	Brown	
			#20275209	Sandstone	
<i>Surface Mount Brass or Brushed Nickel</i> 	370-07		White #2026613	Brass	\$ 48.53
			Almond #2026618		
	370-17		White #2026693	Brushed Nickel	\$ 50.42
			Almond #2026698	Brushed Nickel	
<i>Surface Mount White</i> 	370-81		White #2026483	White	\$ 37.88
			Almond #2026488		



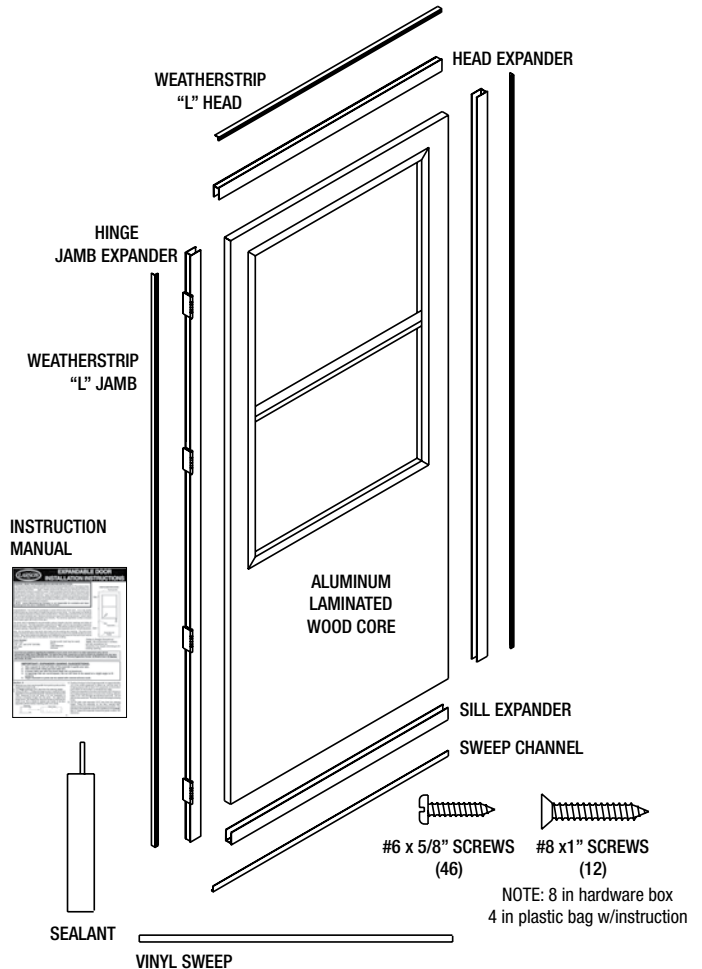
Expandable Door Conversion Kit

All prices include shipping and handling

Allows consumers to install their LARSON® storm door without interfering with the exterior trims and moldings of their home. Also fits door into out-of-square entries. Can be used with wood core doors with **surface mount** hardware including all **VALUE-CORE®** and **VINYL-CLAD** models. Kit includes latch side expander, hinge side expander, top expander, bottom expander, aluminum/vinyl sweep, weatherstrip "L" angle, installation screws, sealant and installation instructions. Refer to sizing chart below for proper fit.

Expandable Door Conversion Kit Standard Sizes	White 080443	Brown 080444
	\$ 125.33	

Standard Larson Door Width	Fits Opening Size with Expander Kit Applied
30" x 81"	29 5/8" – 31 1/2" x 79 3/4" – 81 3/4"
32" x 81"	31 5/8" – 33 1/2" x 79 3/4" – 81 3/4"
34" x 81"	33 5/8" – 35 1/2" x 79 3/4" – 81 3/4"
36" x 81"	35 5/8" – 37 1/2" x 79 3/4" – 81 3/4"
30" x 85"	29 5/8" – 31 1/2" x 84 1/4" – 86 1/4"
32" x 85"	31 5/8" – 33 1/2" x 84 1/4" – 86 1/4"
34" x 85"	33 5/8" – 35 1/2" x 84 1/4" – 86 1/4"
36" x 85"	35 5/8" – 37 1/2" x 84 1/4" – 86 1/4"



Stucco Mould Adapter Kit

All prices include shipping and handling

Provides a mounting surface for a home with stucco moulding. Easily adapts Z-bar of door to fit a stucco home. May be used on some clad prime doors. Will reduce opening width 1/16" to 1/8". Instructions included.

Stucco Adapter 40" x 85"	White 08703303
	\$ 59.33

